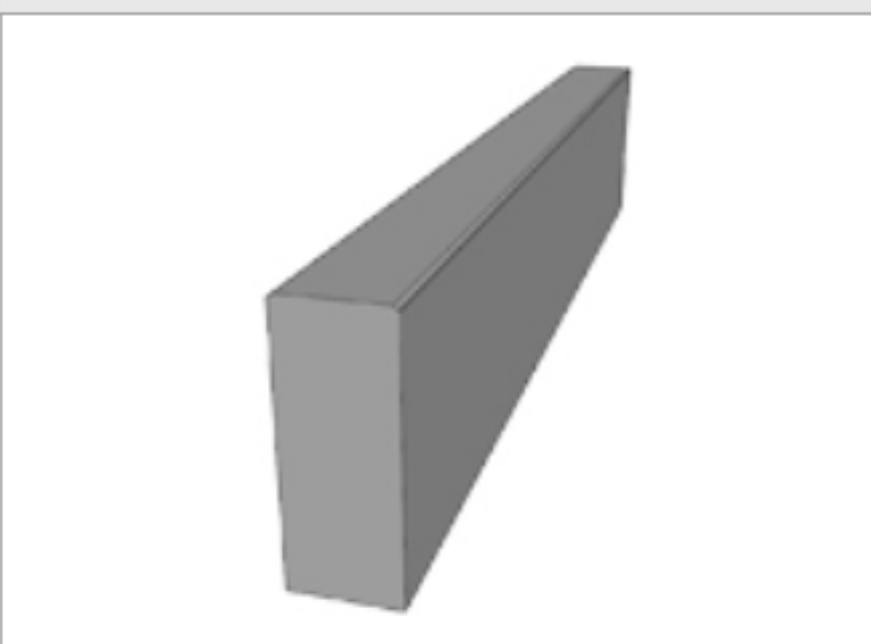


Artikel Nr.	Artikel	Abmessung B x H x L (mm)	Gewicht kg/ Stück	Anzahl St./Paket
-------------	---------	-----------------------------	----------------------	---------------------

**Bordsteine 8 cm - BETONGRAU**

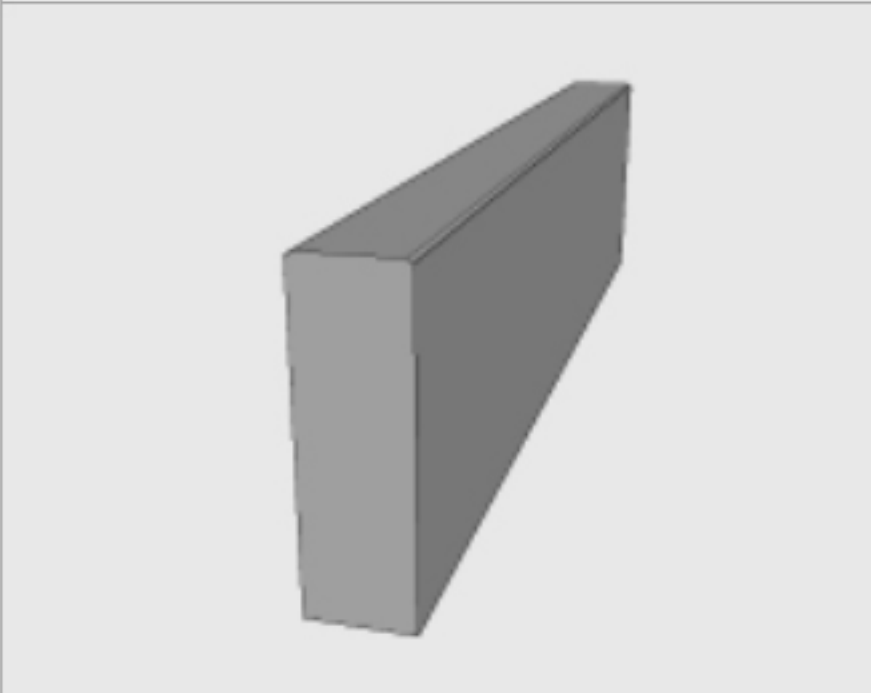
BORD8X20X100  
-3x3-3x3



80 x 200 x 1000  
**Typ ID9**

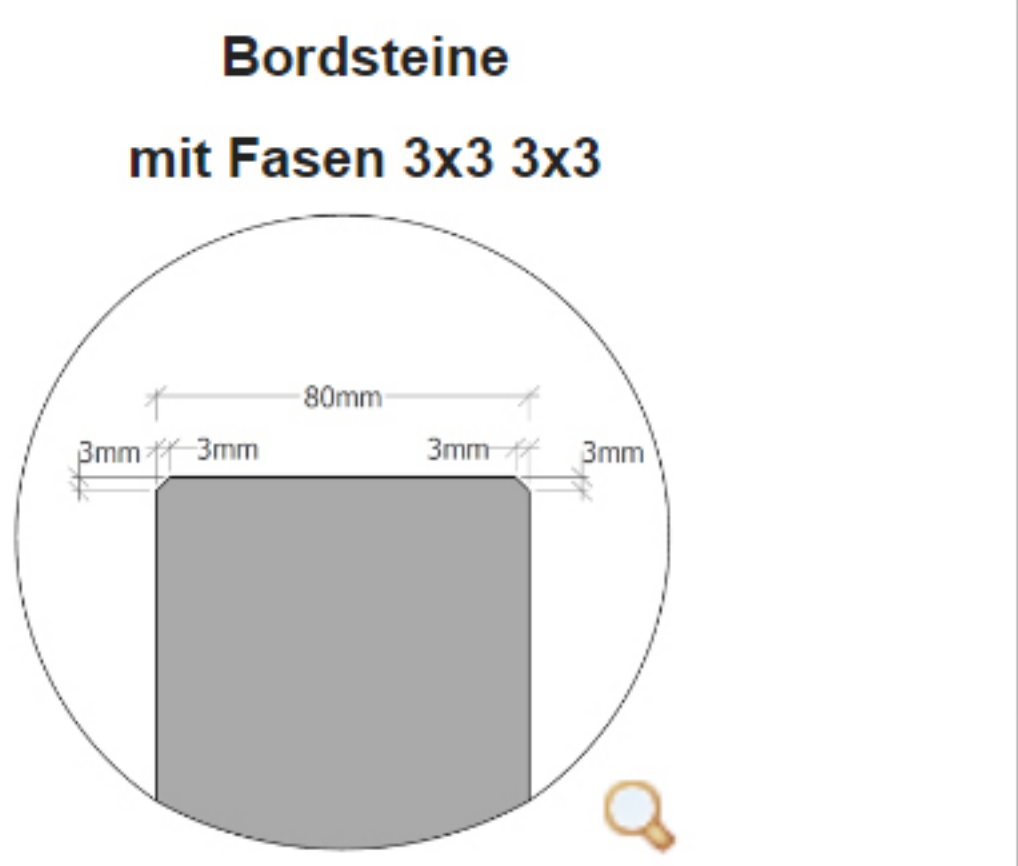
38,00  
30

BORD8X25X100  
-3x3-3x3

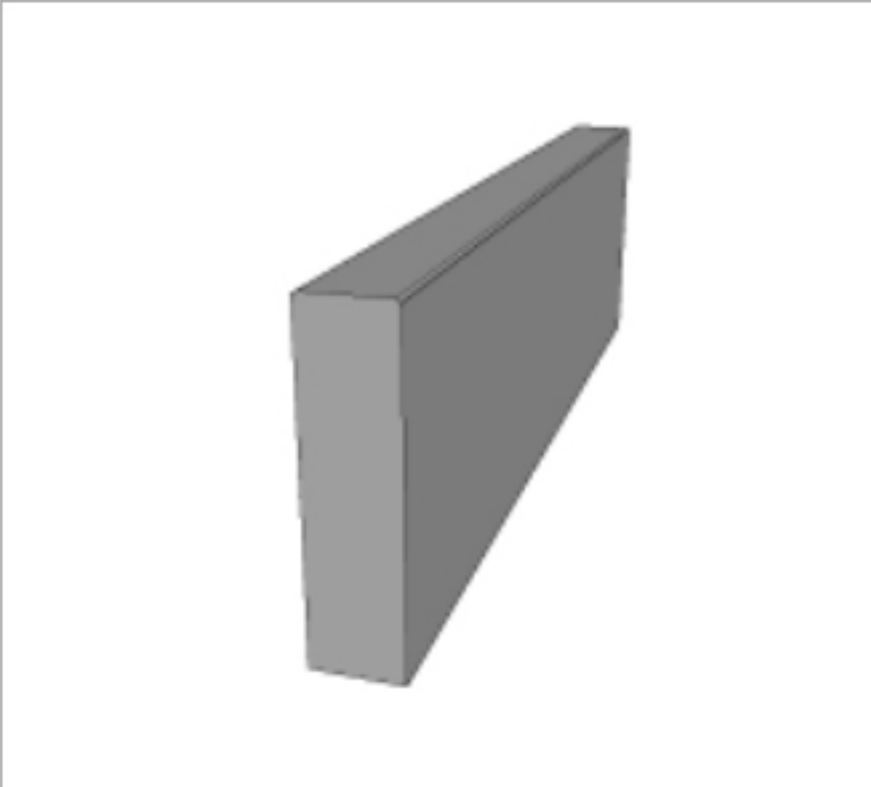


80 x 250 x 1000  
**Typ ID3**

45,70  
30



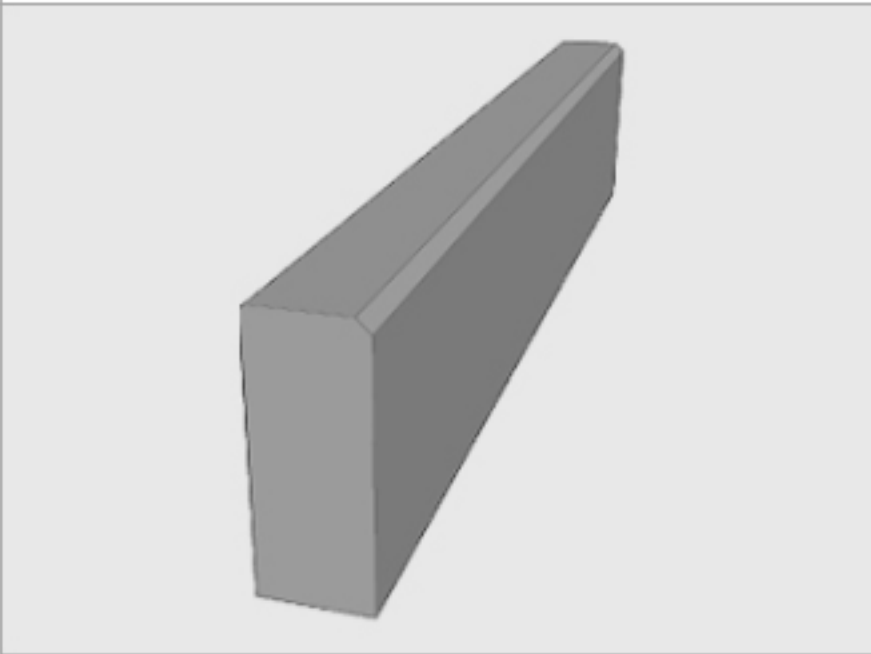
BORD8X30X100  
-3x3-3x3



80 x 300 x 1000

55,00  
20

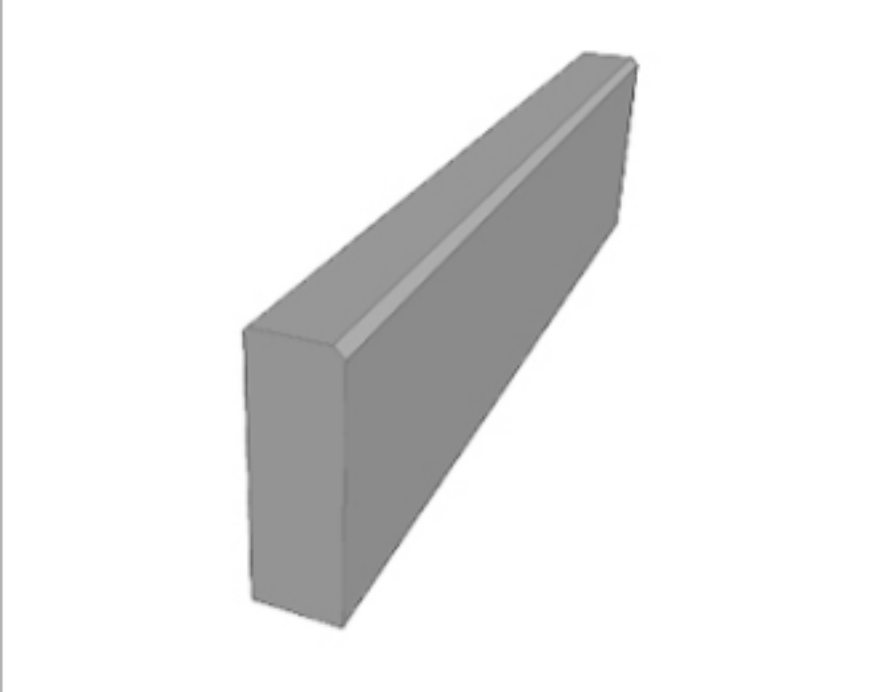
BORD8X20X100  
-3x3-10x10



80 x 200 x 1000

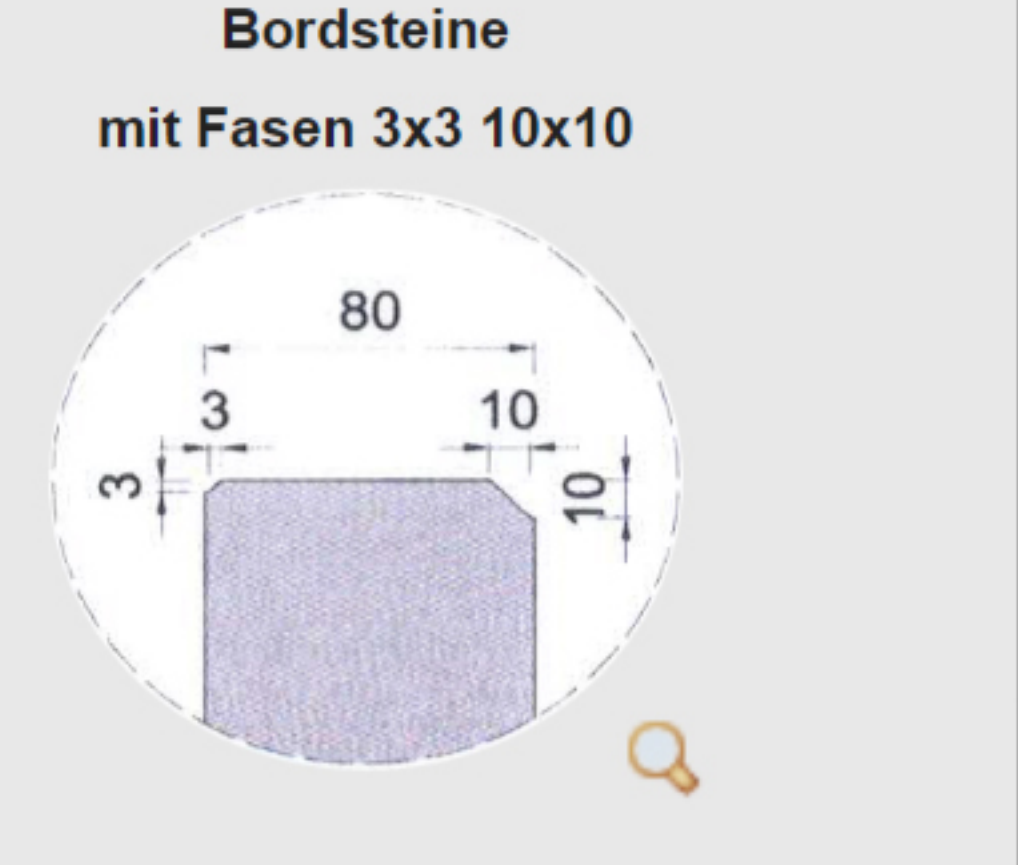
38,00  
30

BORD8X25X100  
-3x3-10x10

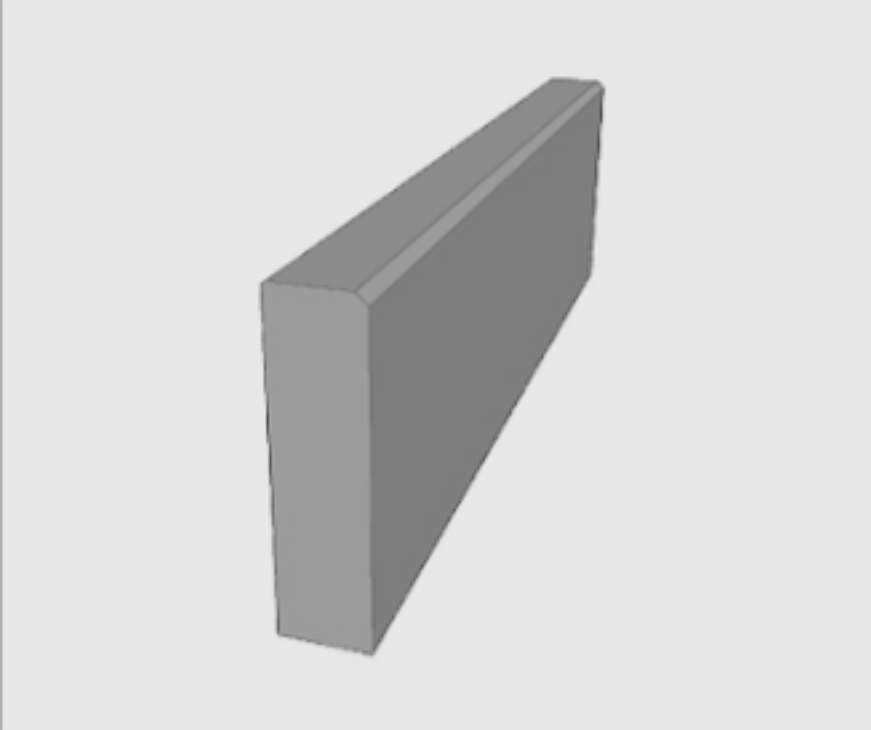


80 x 250 x 1000

45,70  
30



BORD8X30X100  
-3x3-10x10



80 x 300 x 1000

55,00  
20